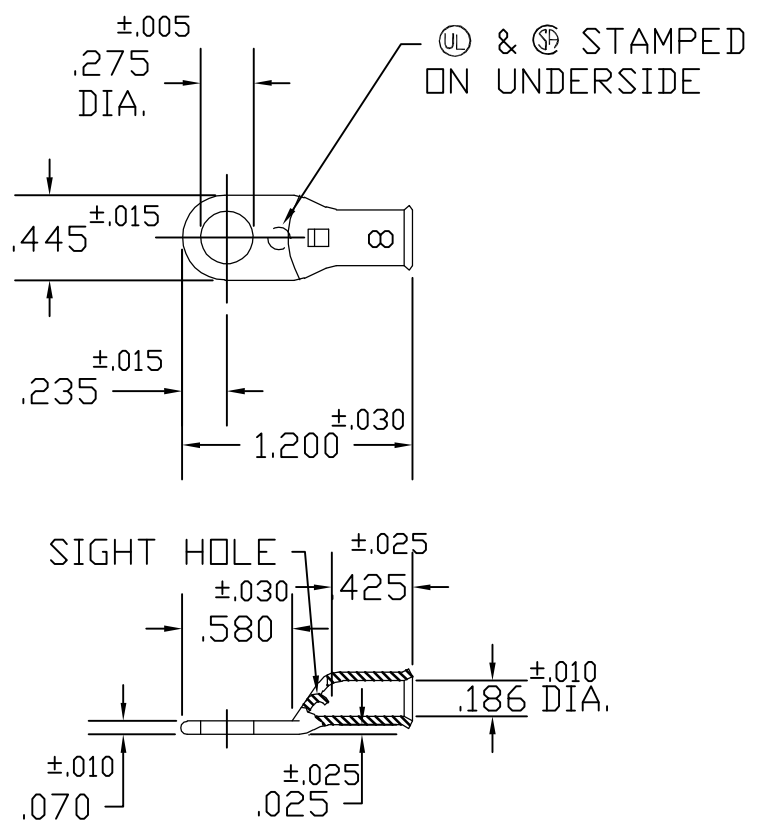


THIS DRAWING IS UNPUBLISHED. RELEASED FOR PUBLICATION
 © COPYRIGHT - BY TYCO ELECTRONICS CORPORATION. ALL RIGHTS RESERVED.

LOC	DIST	REVISIONS					
		P	LTR	DESCRIPTION	DATE	DWN	APVD
G	50		A1	REV PER ECR 06-006958	05APR06	JR	DD



ACTIVE	8141-03	STANDARD	TIN PLATE	1526116-2
ACTIVE	8141-02	STANDARD	PLAIN	1526116-1
STATUS	AET P/N	PACKAGING	FINISH	PART NUMBER

THIS DRAWING IS A CONTROLLED DOCUMENT.		DWN D.A.A.	10/31/00	Tyco Electronics Corporation Harrisburg, PA 17105-3608		
DIMENSIONS: INCHES		CHK H.D.F.	10/31/00			NAME
		APVD H.D.F.	10/31/00			8 STANDARD TERMINAL W/SIGHT HOLE
TOLERANCES UNLESS OTHERWISE SPECIFIED:		PRODUCT SPEC		RESTRICTED TO		
0 PLC ± - 1 PLC ± - 2 PLC ± - 3 PLC ± - 4 PLC ± - ANGLES ± -		APPLICATION SPEC		SIZE	CAGE CODE	
MATERIAL COPPER ASTM B-152		FINISH		DRAWING NO		
		WEIGHT		A3 00779 C-1526116		
		CUSTOMER DRAWING		SCALE	SHEET	
				1:1	1 OF 1	
				REV	A1	